

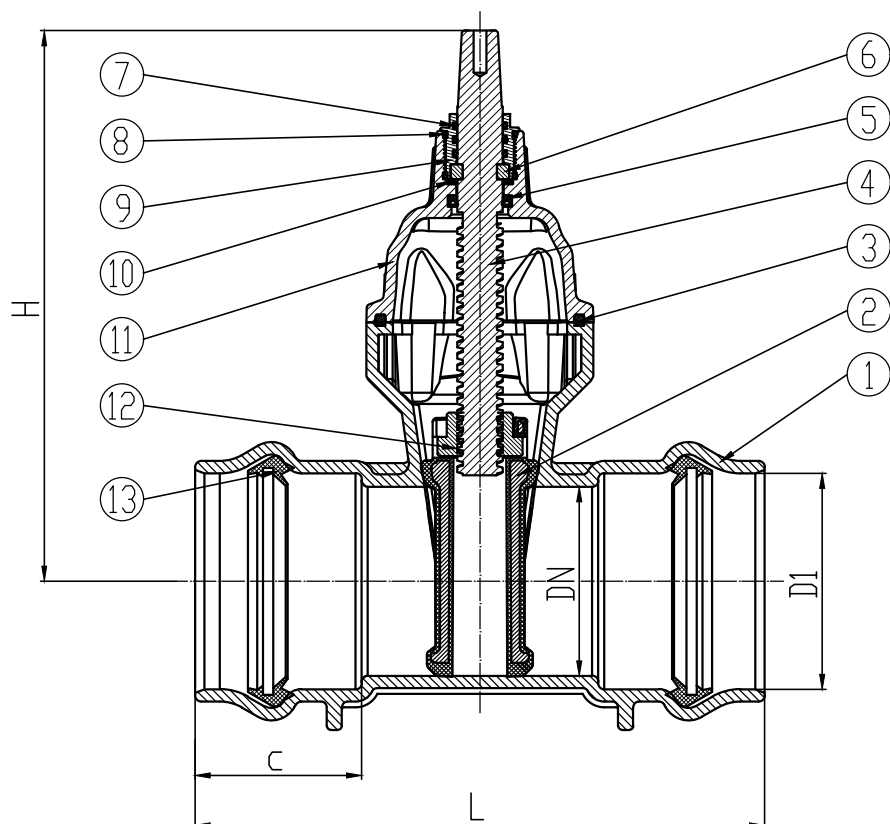
Non-rising Stem Resilient Seated Gate Valves Socket End For PVC Pipe

Reference Standard

Design	EN 1171
Flange	EN 1092-2
Face to Face	EN558-1
Tests	EN 12266-1

Main Technical Parameters

DN	DN50-300	
PN	1.6MPa	
Test pressure	Strength	2.4MPa
	Seal up	1.8MPa
Temperature	0-80°C	
Medium	Clear, sewage, air	



13	Sealing Ring	NBR	ISO 4633
12	Stem Nut	CuZn39Pb1	EN 12167
11	Bonnet	GGG50	DIN 1693
10	Thrust Washer	POM	ISO 9988-1
9	Thrust Nut	CuZn39Pb1	EN 12167
8	O Ring	NBR	ISO 4633
7	O Ring	NBR	ISO 4633
6	Holding Ring	CuZn39Pb1	EN 12167
5	U Ring	NBR	ISO 4633
4	Stem	SS420	ASTM A959
3	Bonnet Gasket	NBR	ISO 4633
2	Disc	EPDM+GGG50	DIN 1693
1	Body	GGG50	DIN 1693
ITEM	PART NAME	MATERIAL	STANDARD

DN	OUTLINE mm			D1	Suit For PVC Tube
	L	C	H		
50	250	77	205	Φ62.5/Φ65.5	Φ60/Φ63
65	270	80	240	Φ77.5	Φ75
80	280	84	265	Φ87.7/Φ92.7	Φ85/Φ90
100	300	88	305	Φ112.9	Φ110
150	350	94	385	Φ163.3	Φ160
200	400	100	495	Φ203.5/Φ228.5	Φ200/Φ225
250	450	125	580	Φ253.8	Φ250
300	500	140	665	Φ319.2	Φ315